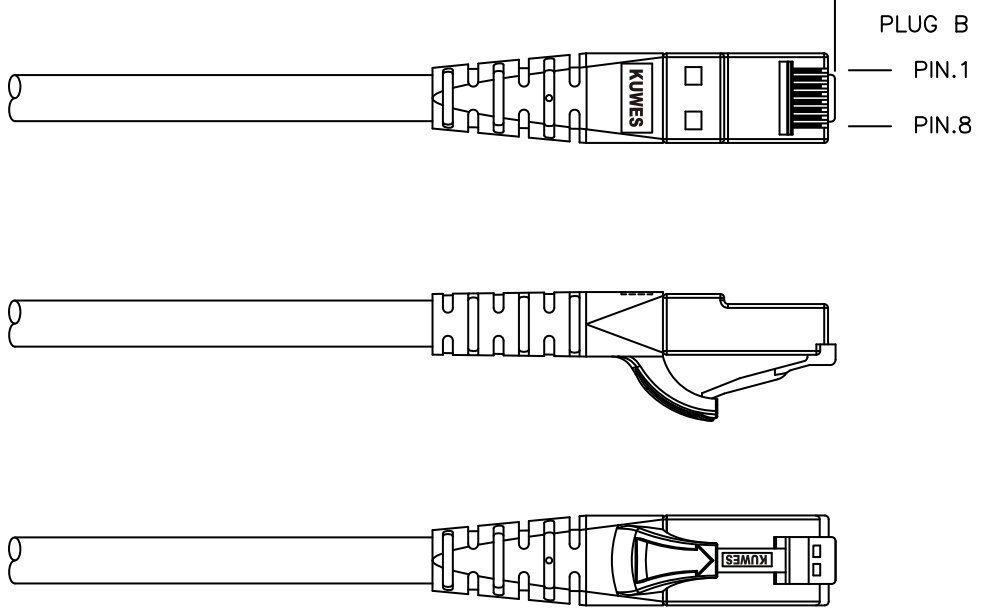
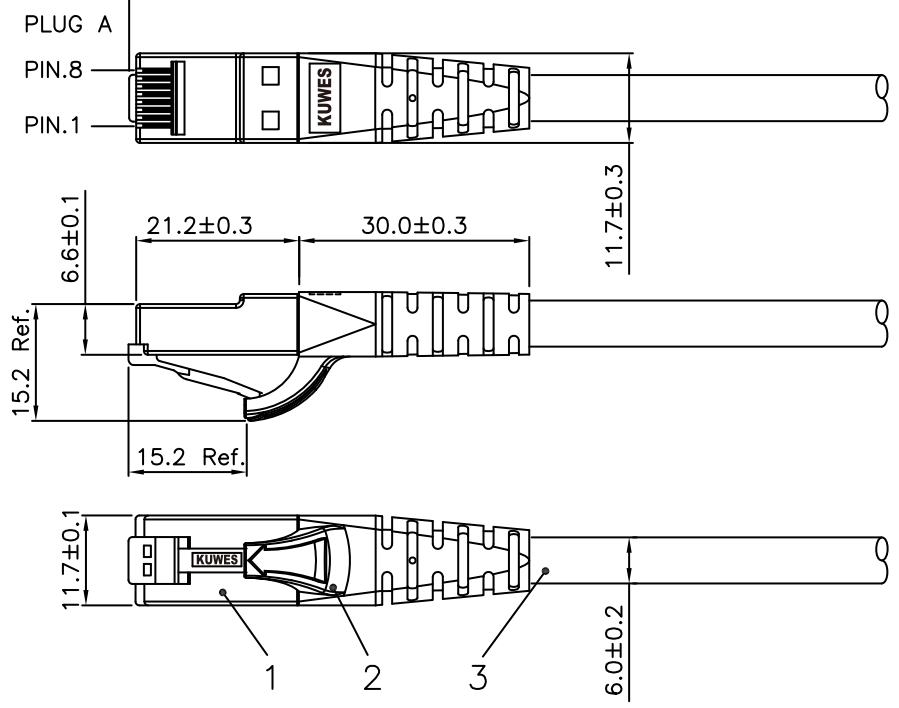


1 2 3 4 5 6

Total length (optional)



Remark :KCP6-UXXX XX
(1) (2)(3)

- (1) XXX : Length
50C=0.5meter, 01M=1meter, 03F=3feet.
- (2) X : Wiring
A=T568A, B=T568B, C=T568A & T568B combination
- (3) X : Jacket Color
0=Black(RAL9011), 2=Red(RAL3031), 3=Orange(RAL2003),
4=Yellow(RAL1021), 5=Green(RAL6029), 6=Blue(RAL5015),
7=Purple(RAL4006), 8=Gray(RAL7035), 9=White(RAL9010).

Specification :

- Material :
1. RJ45 Plug :
 - 1-1. Housing : Polycarbonate, UL 94V-2, Transparent color.
 - 1-2. Contact material : Phosphor Bronze with 50-60 micro-inch Nickel plated.
 - 1-3. Contact finished : Min. 50 micro-inch Gold plated.
 2. Molding: PVC.
 3. Cable :
 - 3-1. Jacket : PVC.
 - 3-2. Conductor : 24 AWG stranded copper.
 - 3-3. Isolation : PE.
 - 3-4. Isolation Cross Bar for 4 pairs : PE.
 4. Cable structure : U/UTP, 4 twisted pair with Cross Bar.

GENERAL TOLERANCE OF DIMENSIONS X.XXX ±0.005 X.XX ±0.05 X.X ±0.1	DRAWING	20.OCT.2010	Magic	KUWES
	CHECK	20.OCT.2010	Magic	
	APPROVAL	20.OCT.2010	Magic	
	DATE	NAME	ITEM NO.: KCP6-UXX	
SCALE	1/1 (A4)	UNIT	mm	DES.: C6 U/UTP w/ Protector Patch Cord
DRAWING NO.		DRAWING CLASSIFICATION		
DRAWING CLASSIFICATION		S	SHEET	1 OF 1

1 2 3 4 5 6