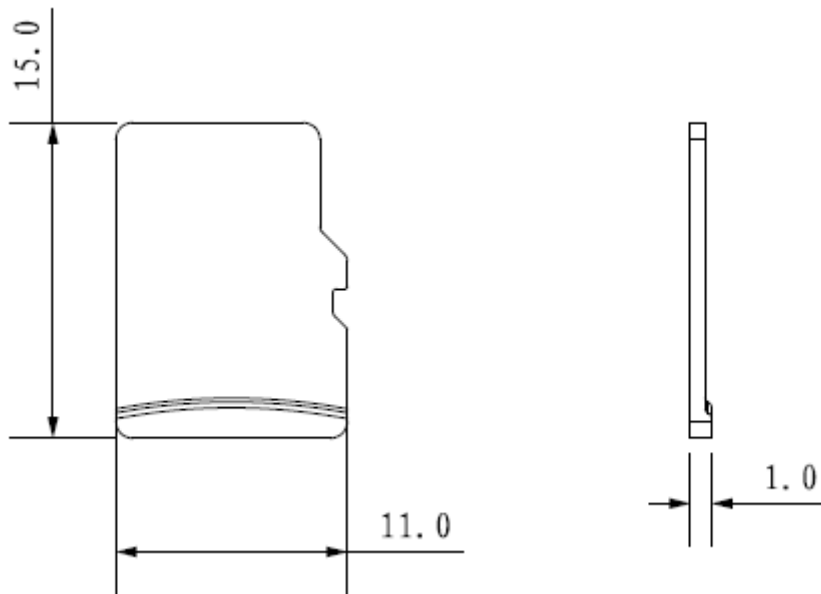


DH-PFM110/111/112/113

Dimensions (mm)



Dahua Technology Co., Ltd.

1199 BinAn Road, Binjiang District, Hangzhou, China

Tel: +86-571-87688883

Fax: +86-571-87688815

Email: overseas@dahuatech.com

www.dahuasecurity.com

*Design and specifications are subject to change without notice.

© 2016 Dahua Technology Co., Ltd.





DH-PFM110/111/112/113



Features

- Use TLC storage medium, cost-effective;
- High transmission speed, to be a higher class UHS-I, at least to be 10MB/s;
- High adaptability, water-proof, shock-proof, X-ray proof, high and low temperature resistance, etc.
- Wide application, be applied on the scenarios which will be light storage in the consumer products, relatively low video intensity or used in the relatively simple environment.

Specifications

Model	DH-PFM110	DH-PFM111	DH-PFM112	DH-PFM113
Image				
Product type	Dedicated TF card, Micro SD card			
Nominal capacity	16GB	32GB	64GB	128GB
Property/Speed	Class 10, UHS-I(reading speed: 90MB/s, writing speed: 20MB/s)			
Compatibility	Compatible with the devices which can support micro SDHC, micro SDXC, micro SDHC UHS-I and micro SDXC UHS-I, especially DAHUA IP Cameras !			
Dimension(L*W*H)	15.0mmx11.0mmx1.0mm			
Weight(with package)	8.0g			
Color	Red& grey			
Storage temperature	-25℃~85℃			
Working temperature	-15℃~70℃			
Humidity	0~95%(non-condensing)			
Carried standard	CE/FCC			
Warranty	2 years			