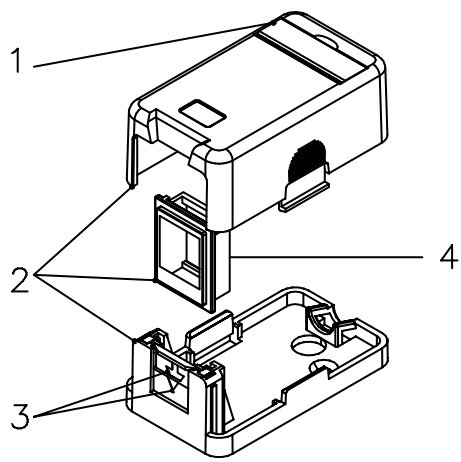
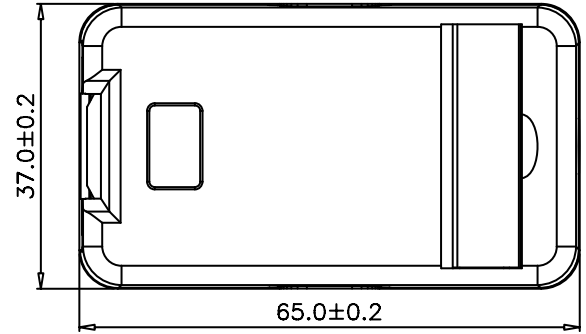


1 2 3 4 5 6

A



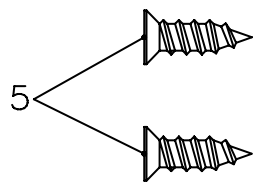
SCALE 1/2



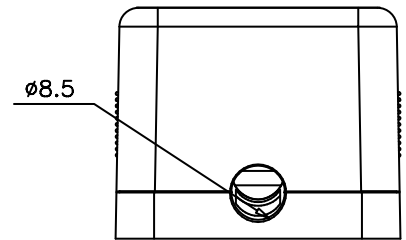
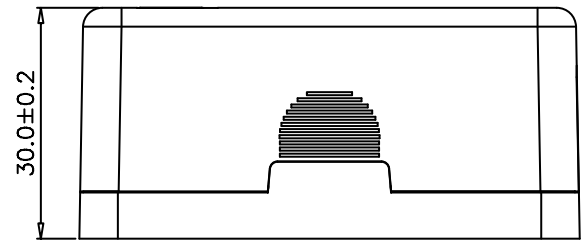
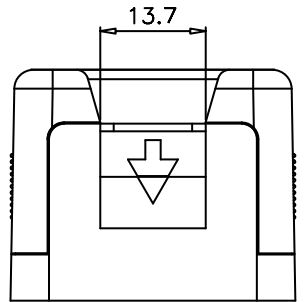
A

B

B



SCALE 1/1



C

C

Specification :

- Material :
1. Identification :
    - 1-1. I.D. Plate : PC, UL 94V-2, Transparent color.
    - 1-2. Paper.
  2. Box : ABS, UL 94V-0, with white color.
  3. Dust cover : ABS + PC, UL 94V-0.
  4. Insert : ABS, UL 94V-0.
  5. Screw : ø4 X 14 mm.

GENERAL TOLERANCE OF DIMENSIONS X.XXX ±0.005 X.XX ±0.05 X.X ±0.1	DRAWING	12.JUL.2010	QIQI	<b>KUWES</b>
	CHECK	12.JUL.2010	JANE	
	APPROVAL	12.JUL.2010	JAIMY	
	DATE		NAME	ITEM NO.: AKE341-1-WH
SCALE	1/1 (A4)	UNIT	mm	DES.: SURFACE MOUNTED BOX
		DRAWING NO. AKE341-1-WH		
		DRAWING CLASSIFICATION	S SHEET 1 OF 1	

D

D

1 2 0 3 4 10cm 5 6